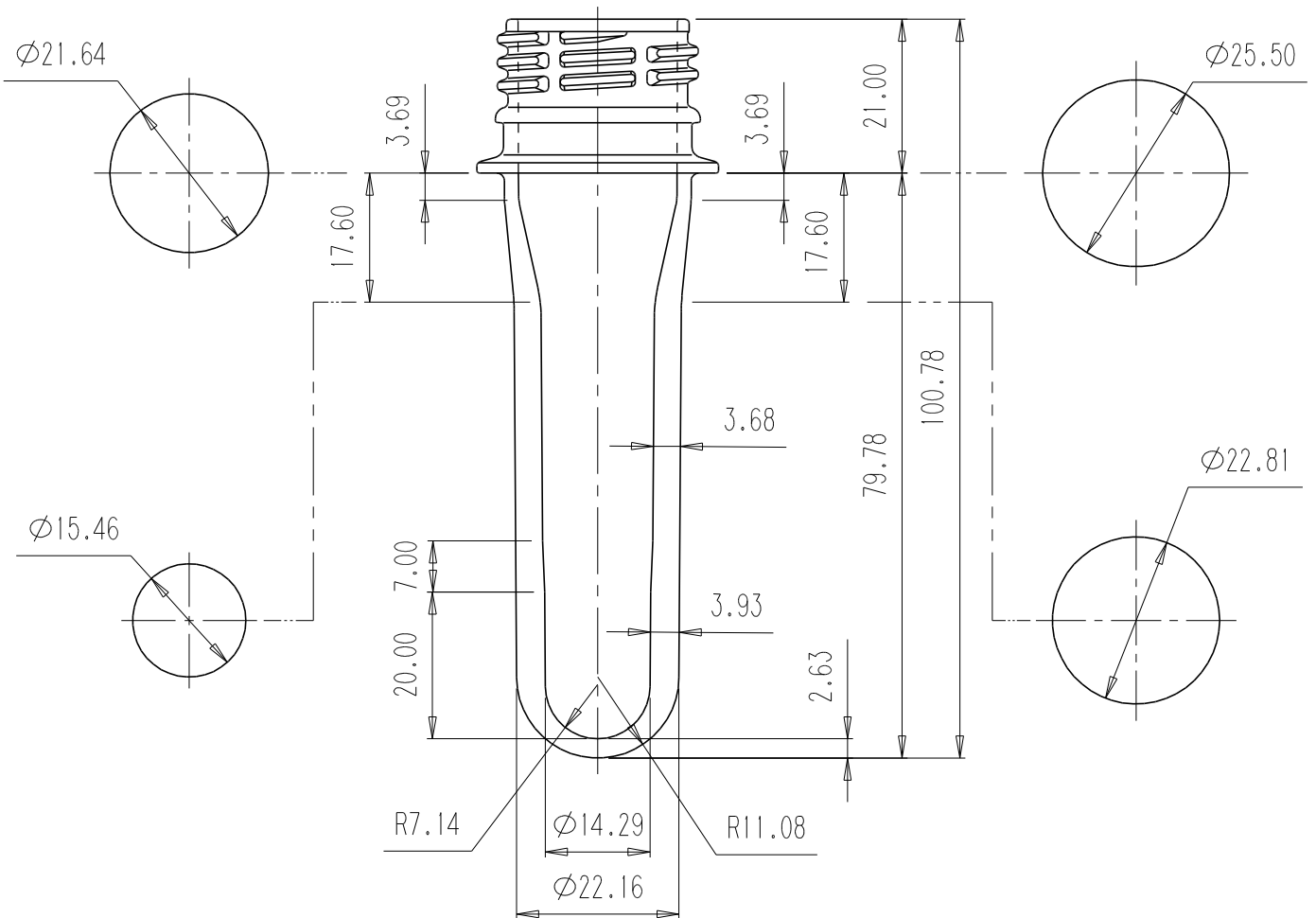


ITEM	REVISION	DATE	SIGN



PRODUCT DATA	
NECK WEIGHT	5.06 GR
BODY WEIGHT	21.74 GR
TOTAL WEIGHT	26.80 GR
SPECIFIC GRAVITY	1.335
MATERIAL	PET

DATE	2020.10.20	JOB No.	
------	------------	---------	--

DESIGN BY.	CHECKED BY.	APPROVED BY.	SCALE
			1 / 1

TITLE	P-26.5 (DW-9) PREFORM
-------	-----------------------